

Y SERIES MANUAL HAND CRANK HOSE REELS



The new Retractable Y Series hose reel range has been introduced to meet the demands of extreme environments where wash down hose reels are used. Designed with safety features from the ground up, Y Series reels are made from high quality materials providing the ultimate durability.

FEATURES AND BENEFITS

- Manually operated safety system to prevent the handle rotating during hose unwinding
- Foldable handle to prevent unwanted catching
- Adjustable clutch allows the rotation speed of the drum to be slowed
- Stainless steel swivel with high quality seals for the ultimate durability



YSWA1220N-DD



YSXA1235N-DD



YSYA1250N-DD

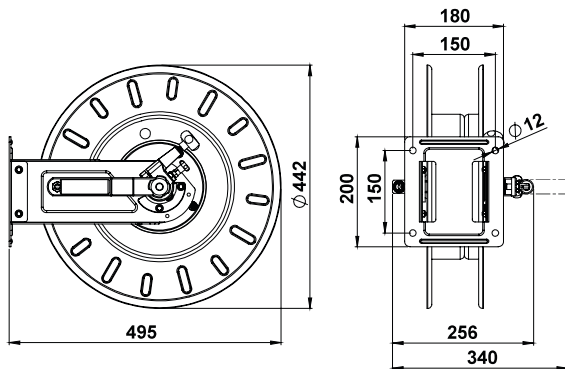


YSZA1290N-DD

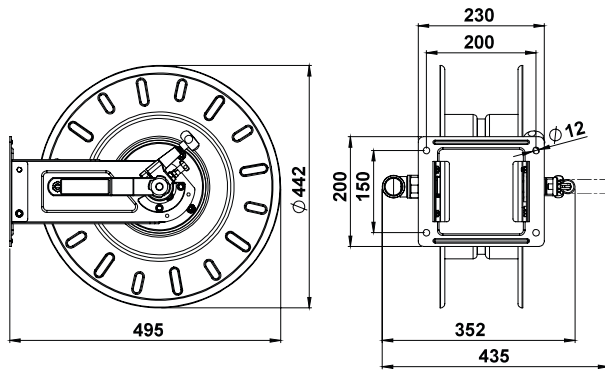
TECHNICAL SPECIFICATIONS

Part Number	YSWA1220N-DD	YSXA1235N-DD	YSYA1250N-DD	YSZA1290N-DD
Fluid Type	Air / Water / Oil / Diesel	Air / Water / Oil / Diesel	Air / Water / Oil / Diesel	Air / Water / Oil / Diesel
Hose Diameter	1/2" (12.7mm)	1/2" (12.7mm)	1/2" (12.7mm)	1/2" (12.7mm)
Hose Length Capacity	20m	35m	50m	90m
Feed Hose Length	N/A	N/A	N/A	N/A
Swivel Inlet	1/2" BSPT (M)	1/2" BSPT (M)	1/2" BSPT (M)	1/2" BSPT (M)
Swivel Outlet	1/2" BSPP (M)	1/2" BSPP (M)	1/2" BSPP (M)	1/2" BSPP (M)
Maximum Working Pressure	5,800 psi	5,800 psi	5,800 psi	5,800 psi
Maximum Temperature	150°C	150°C	150°C	150°C
Reel Body Material	Stainless Steel (304 Grade)	Stainless Steel (304 Grade)	Stainless Steel (304 Grade)	Stainless Steel (304 Grade)
Weight	9kg	10kg	11kg	15kg

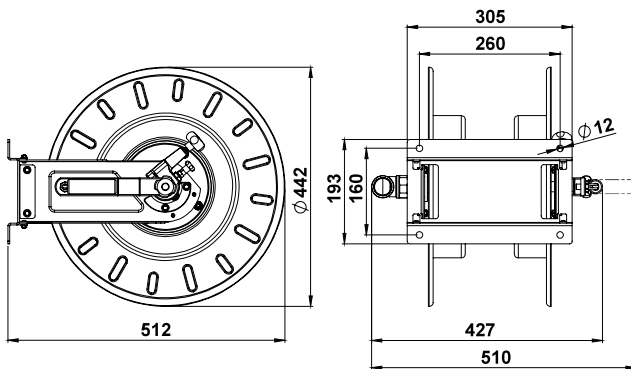
DIMENSIONS



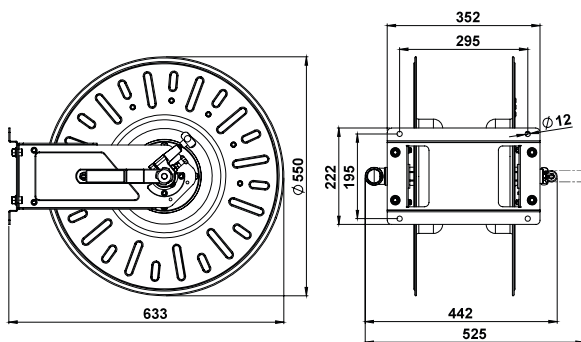
YSWA1220N-DD



YSXA1235N-DD



YSYA1250N-DD



YSZA1290N-DD

ACCESSORIES

REEL LOCKING PIN

Allows the drum to be locked. Recommended in environments with vibration (trucks, industrial machinery)



Part Number: RA-LP-YS

ROLLER HOSE GUIDE

Side arms with four roller hose guide for enhanced operation and wear reduction



Part Numbers:

RA-RG-YSWA – H1 Reel Roller Guide

RA-RG-YSXA – H2 Reel Roller Guide

RA-RG-YSYA – H3 Reel Roller Guide

RA-RG-YSZA – H4 Reel Roller Guide